

# EBG/Flow Products Div.

PHONE: 800-426-9156

FAX: 800-435-6629

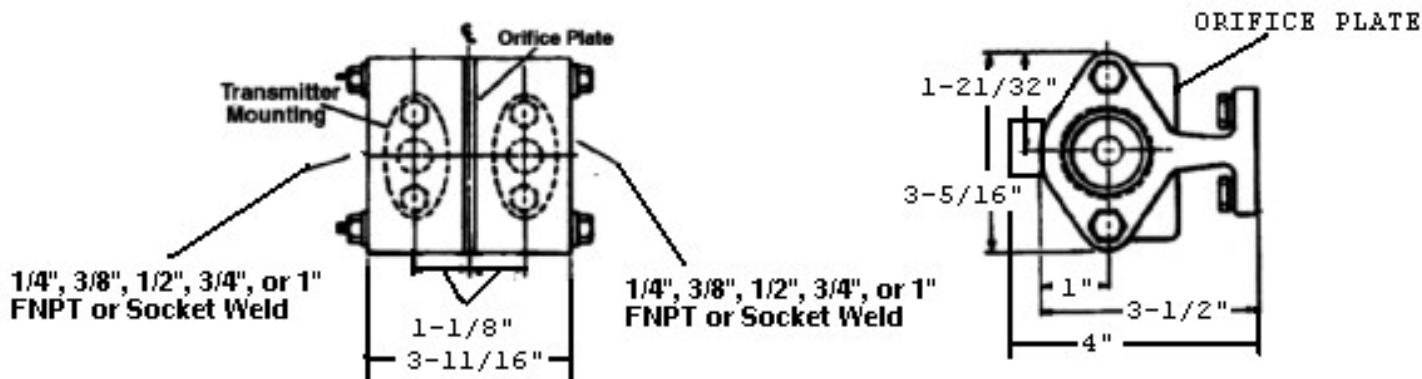
EMAIL: sales@ebgflow.com

MAIL: 13805 Panorama Drive Austin, Texas 78732

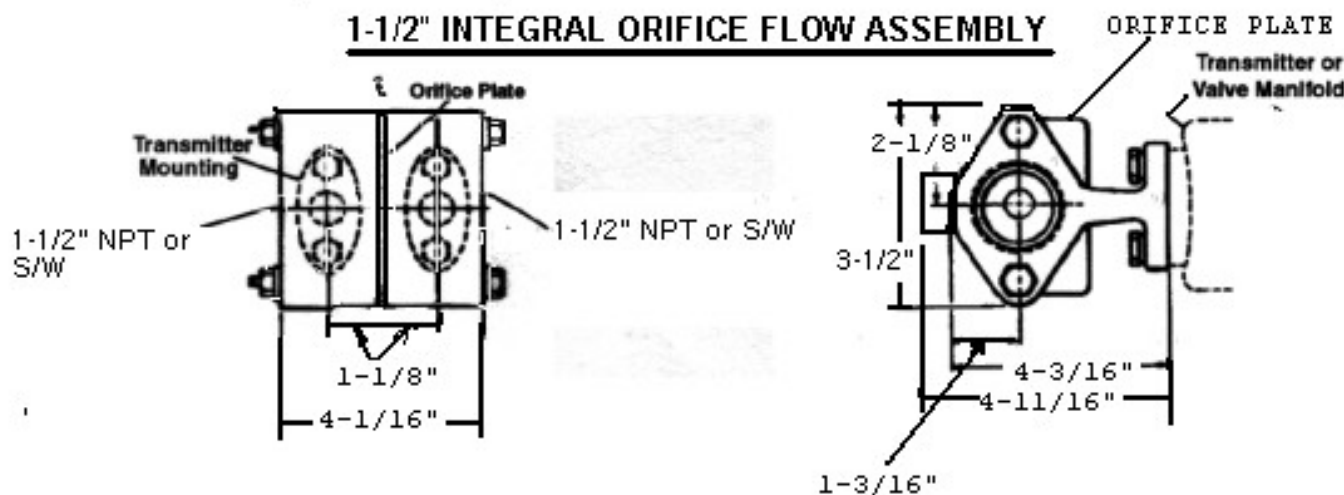
## **INTEGRAL ORIFICE ASSEMBLIES**

**MOUNTS DIRECTLY TO TRANSMITTER OR VALVE MANIFOLD**

### 1/4", 3/8", 1/2", 3/4", & 1" INTEGRAL ORIFICE FLOW ASSEMBLY



### 1-1/2" INTEGRAL ORIFICE FLOW ASSEMBLY

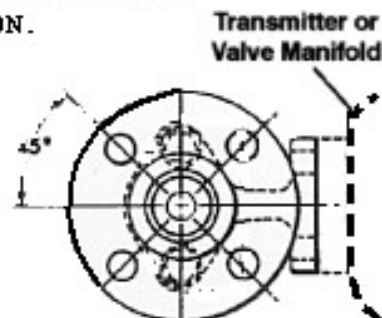
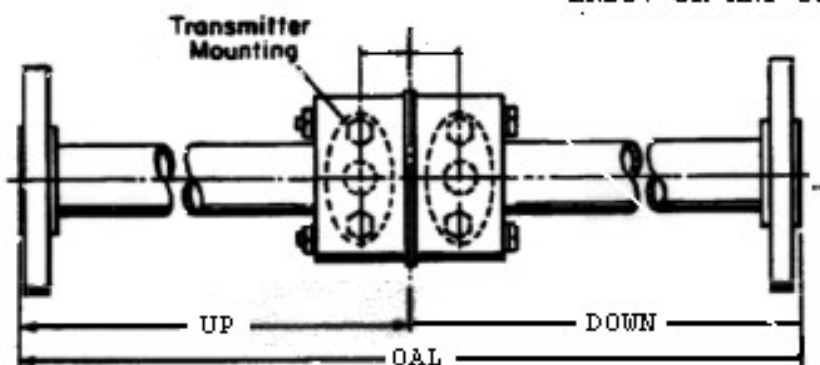


## **ALSO AVAILABLE AS COMPLETE METER RUNS**

### **DIMENSIONS**

All dimensions in inches.

ILLUSTRATED AS FLANGED BOTH ENDS.  
CAN BE PROVIDED PLAIN BOTH ENDS,  
BEVELLED BOTH ENDS, THREADED BOTH  
ENDS. OR ANY COMBINATION.



**EBG / Flow Products Div.**  
**INTEGRAL ORIFICE**  
**ASSEMBLIES are available from**  
**ANY machinable material,**  
**including High Nickel Alloys,**  
**Chrome-Molys, Low-Temp, and**  
**Plastics.**

### **STANDARD LENGTHS**

SIZE	UP	DOWN	OAL
1/2", 3/4", 1"	16"	8"	24"
1-1/2"	30"	8"	38"

EBG can  
manufacture Meter  
Runs to any Pipe  
Schedule or Length  
required.