



# EBG Flow Products, Inc.

1100 - M Regal Row | Austin, TX. | 78748 | ph. (800) 426-9156 | fax. (800) 435-6629 | www.EBGFLOW.com

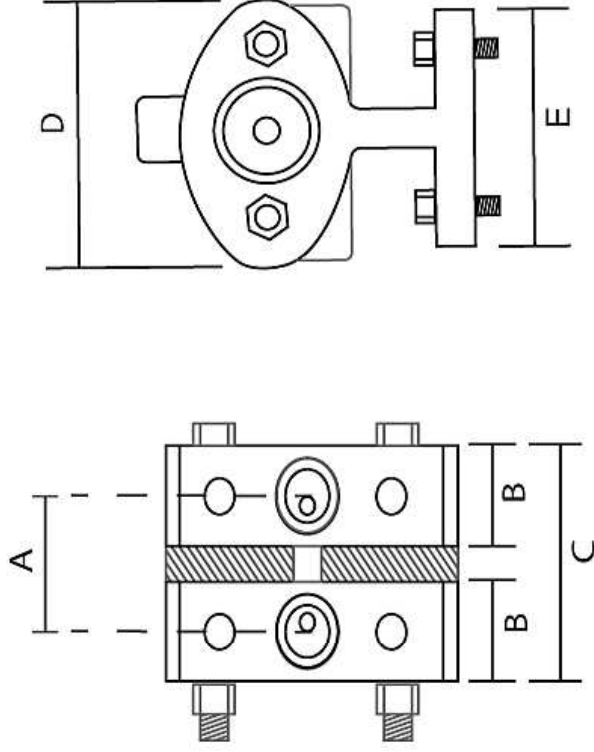
## INTEGRAL ORIFICE ASSEMBLIES

Maximize safety and profit.  
Minimize leaks and headaches.

**Integral Orifice Assemblies** are designed for direct mount to any standard transmitter or manifold. This eliminates the need for any adapters, fittings, tubing, or valves that can be needed in small orifice flange and plate applications and where over 50% of leaks occur.

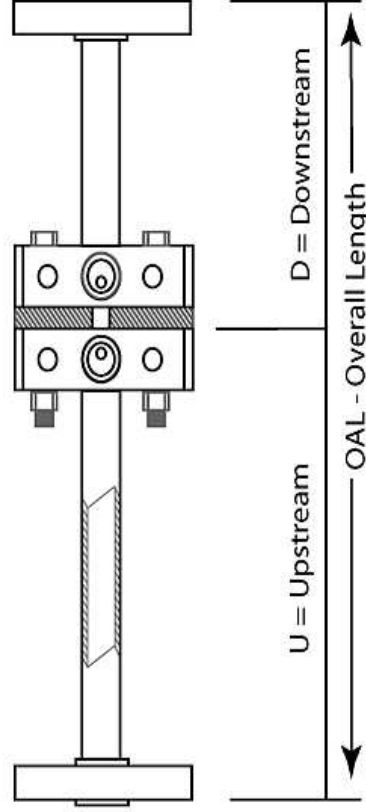
**Body material:** T-316 SS and Carbon Steel standard. Any machinable material can be requested.

**Plate material:** T-316 SS and can be made from any machinable material.



Line size	A	B	C	D	E
1/2"	2.125	1.75	3.75	3.308	2.528
3/4"	2.125	1.75	3.75	3.308	2.528
1"	2.125	1.75	3.75	3.308	2.528
1-1/2"	2.125	2.00	4.25	4.023	2.55

Integral Orifice Assemblies can also be fabricated as an accurate **Integral Orifice Meter Tube** with beveled, threaded, or flanged ends.



### STANDARD TUBE LENGTHS

Pipe Size	U	D	OAL
1/2"	16.0"	8.0"	24.0"
3/4"	16.0"	8.0"	24.0"
1"	16.0"	8.0"	24.0"
1-1/2"	30.0"	8.0"	38.0"